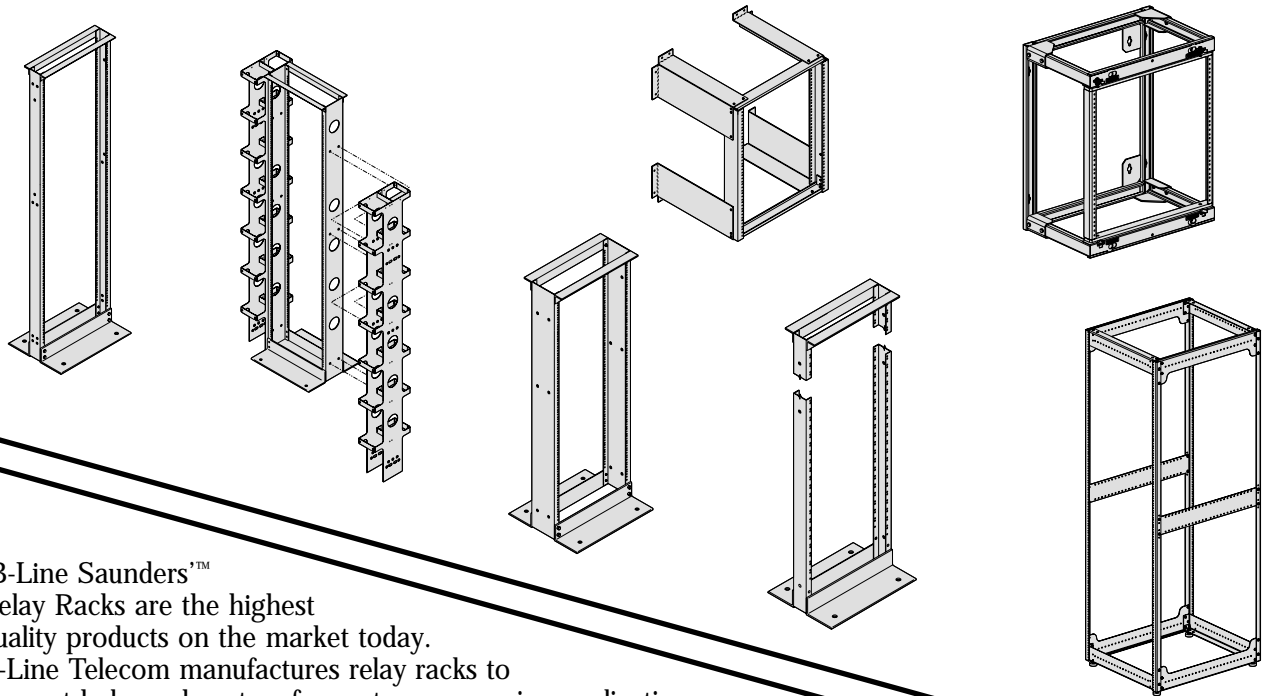


SAUNDERS™ RELAY RACKS



Relay Racks

B-Line Saunders™ Relay Racks are the highest quality products on the market today. B-Line Telecom manufactures relay racks to support hubs and routers for customer premise applications or to support power and transmission equipment in the central office environment. All B-Line Telecom racks are manufactured to conform to or exceed EIA-310-D and some are even UL Listed.

B-Line Telecom relay racks are constructed in either highly durable 6061-T6 aluminum or heavy duty steel. Racks are available in 19" (482mm) and 23" (584mm) widths, 36" (914mm) to 140" (3556mm) heights and a variety of finishes which include brush satin aluminum, telco gray, flat black, computer white or custom colors unique to your installation.

B-Line Telecom's customer premise rack offers a versatile approach to voice and data installations. Constructed of sturdy brushed aluminum, B-Line Telecom's 84" (2133mm) x 19" (482mm) customer premise relay rack is equipped with universal mounting hole spacing 5/8" x 5/8" x 1/2" (16mm x 16mm x 13mm) for panel mounting, two top angles for more rigidity and tapped assembly holes for self-squaring. The SB-556-084-XU is designed for junctioning compatibility with other major rack manufacturers. Superior design and top quality manufacturing make B-Line Telecom racks the industry standard.

B-Line System's commitment to quality and innovation is witnessed in our product offering and its adaptability to an ever-changing industry.

<u>Material:</u>	<u>Type</u>	<u>Thickness</u>	<u>Specifications</u>
	Steel Bar 3/8" (9.5mm) - 7 Gauge (4.5mm) ASTM A36
	Steel Strip 10 Gauge (3.4mm) - 12 Gauge (2.6mm) ASTM A569
	Aluminum 6061-T6

<u>Finishes:</u>		
	Brushed Aluminum ASTM A480
	Powder Coat Paint ASTM D3451
	- Telco Gray (TG)	
	- Computer White (CW)	
	- Flat Black (FB)	
	Chemical Conversion Coatings Available	

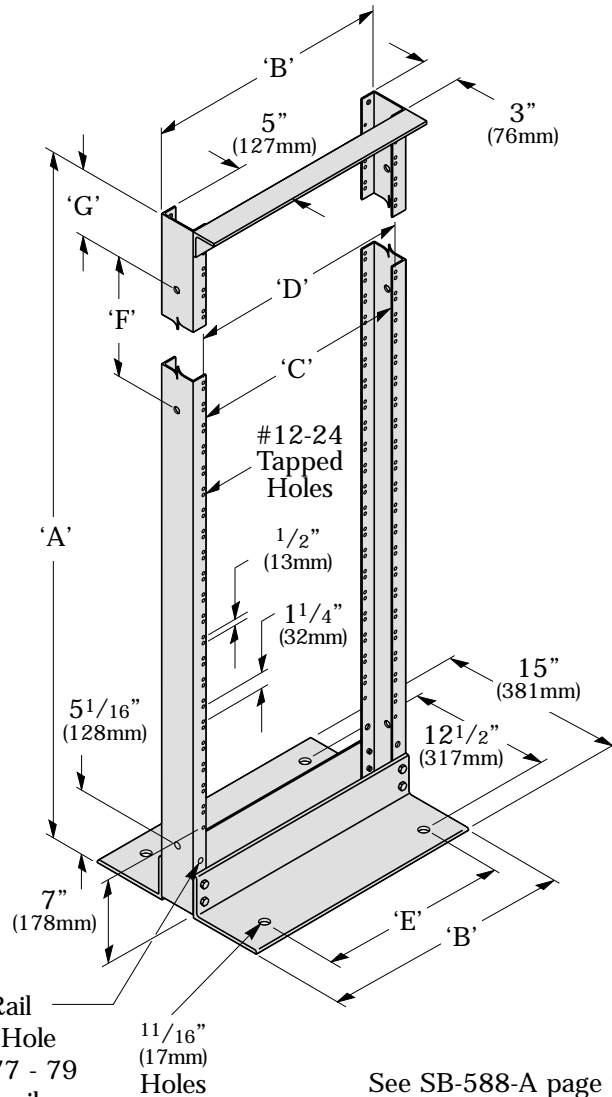
<u>Standard Conformance:</u>
EIA-310-D
UL - Listed Communication Circuit Accessory (file no. E171936).

SAUNDERS™ ALUMINUM RELAY RACKS

Self-Supporting

Telco Style

- #12-24 panel mounting holes.
- Conformance to EIA-310-D.
- Double sided wide (1 1/4" (32mm), 1/2" (13mm)) mounting spacing.
- Single heavy duty 2" (51mm) x 2" (51mm) top angle for pipe bracing with counter sunk flat head screws.
- Self squaring with tapped assembly holes.
- UL Listed (File No. E171936).
- Accessory mounting holes provided in web and flanges of upright.
- Load Rating: 600 Lbs. (2.67kN)
- Material: 6061-T6 aluminum alloy
- Finish: Brushed 2B finish
Telco Gray Powder Coat (TG)



See SB-588-A page 91 for anchor kits

Continued on page 15.

SAUNDERS™ ALUMINUM RELAY RACKS

Self-Supporting

		Dimensions			
		19" (482mm) Rack Width		23" (594mm) Rack Width	
		In.	(mm)	In.	(mm)
'A'	Overall Height	72" - 140"	(1829 - 3556)	72" - 140"	(1829 - 3556)
'B'	Overall Width	20 ⁵ / ₁₆ "	(516)	24 ⁵ / ₁₆ "	(617)
'C'	Panel Mounting	18 ⁵ / ₁₆ "	(465)	22 ⁵ / ₁₆ "	(567)
'D'	Usable Inside Width	17 ³ / ₄ "	(451)	21 ³ / ₄ "	(552)
'E'	Base Anchor Spacing	16"	(406)	20"	(508)

Telco Style

Wide Spacing [1¹/₄" (32mm), 1¹/₂" (13mm)]

Part Number		'A' Height		'F' Spacing		'G'		Mounting Spaces	Weight	
Brushed Alum	Gray	In.	(mm)	In.	(mm)	In.	(mm)		Lbs.	(kg)
19" (482mm) Rack Width										
SB-556-072	SB-556-072 TG	72"	(1828)	25 ¹ / ₄ "	(641)	2 ³ / ₁₆ "	(55)	36	30	(13.6)
SB-556-084	SB-556-084 TG	84"	(2133)	25 ¹ / ₄ "	(641)	14 ³ / ₁₆ "	(360)	43	33	(15.0)
SB-556-090	SB-556-090 TG	90"	(2286)	39 ⁷ / ₁₆ "	(1001)	6"	(152)	46	35	(15.9)
SB-556-096	SB-556-096 TG	96"	(2438)	39 ⁷ / ₁₆ "	(1001)	12"	(305)	49	36	(16.3)
SB-556-108	SB-556-108 TG	108"	(2743)	48 ¹¹ / ₁₆ "	(1236)	5 ¹ / ₂ "	(139)	56	39	(17.7)
SB-556-138	SB-556-138 TG	138"	(3505)	64 ¹¹ / ₁₆ "	(1643)	3 ¹ / ₂ "	(89)	73	46	(20.9)
SB-556-140	SB-556-140 TG	140"	(3556)	64 ¹¹ / ₁₆ "	(1643)	5 ¹ / ₂ "	(139)	75	47	(21.3)
23" (584mm) Rack Width										
SB-558-072	SB-558-072 TG	72"	(1828)	25 ¹ / ₄ "	(641)	2 ³ / ₁₆ "	(55)	36	34	(15.4)
SB-558-084	SB-558-084 TG	84"	(2133)	25 ¹ / ₄ "	(641)	14 ³ / ₁₆ "	(360)	43	37	(16.8)
SB-558-090	SB-558-090 TG	90"	(2286)	39 ⁷ / ₁₆ "	(1001)	6"	(152)	46	39	(17.7)
SB-558-096	SB-558-096 TG	96"	(2438)	39 ⁷ / ₁₆ "	(1001)	12"	(305)	49	40	(18.1)
SB-558-108	SB-558-108 TG	108"	(2743)	48 ¹¹ / ₁₆ "	(1236)	5 ¹ / ₂ "	(139)	56	43	(19.5)
SB-558-138	SB-558-138 TG	138"	(3505)	64 ¹¹ / ₁₆ "	(1643)	3 ¹ / ₂ "	(89)	73	50	(22.7)
SB-558-140	SB-558-140 TG	140"	(3556)	64 ¹¹ / ₁₆ "	(1643)	5 ¹ / ₂ "	(139)	75	51	(23.1)

For Universal Spacing [5/8" (16mm), 5/8" (16mm), 1/2" (13mm)] add -U suffix to part numbers.

Example: **SB-55(6 or 8)-108-U**

Relay Racks