

FDC® Unit Connector Panels and Modules

A LANscape® Solutions Product

Corning
Cable Systems

Applications

- Rack-mount, 19-in (48 cm) or 23-in (58 cm); optional wall-mount
- Termination of interbuilding backbone cables at main or intermediate cross-connect
- Used as a component of Corning Cable Systems' Fiber Distribution Frame
- Pigtail splicing and through splicing

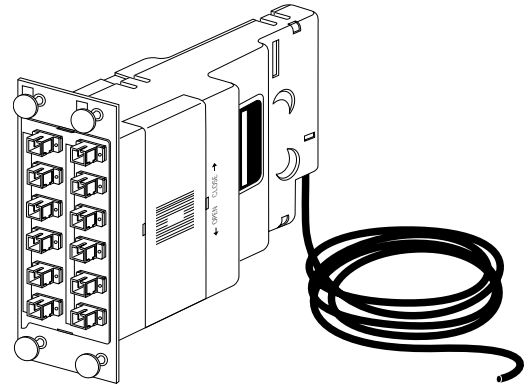
Description

Corning Cable Systems offers a variety of panels and modules for use in the FDC® Unit family of products. The panels are used with field-installable connectors or in applications where the preconnectorized cables are routed directly to the FDC Unit housing. Both the panels and the modules may be equipped with 900 μm single-fiber or ribbon-fiber pigtails for pigtail splicing.

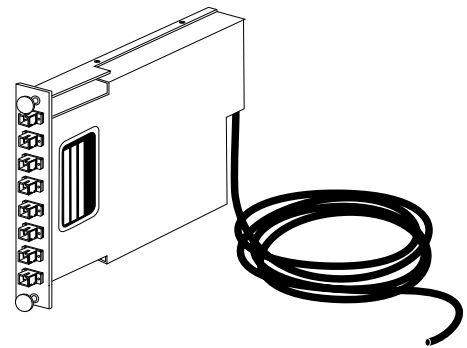
Panels and modules are available with a variety of connector types. Plastic modules include molded-in areas for coiling fiber slack and protecting the minimum bend radius of the fiber.

Features / Benefits

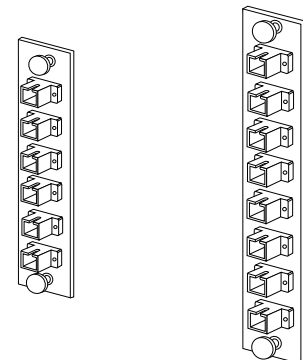
- Made of injection-molded plastic or sheet metal
- Modules accommodate various fiber types
- Accommodates all standard connector types
- Unique connector adapters enable easy connector access
- Fiber routing and bend radius protection designed into modules



Connector Module FDC-CM12-58 | Drawing CPC-220/5/26



Connector Module FDC-CP18-58 | Drawing CPC-220/5/27



Connector Panels FDC-CP1P-38 and FDC-CP8P-38
| Drawing CPC-220/5/24 and CPC-220/5/25

Ordering Information (continued)

Part Number	Description
Pigtailed Panels and Modules	
FDC - CP1P - <input type="text"/> <input type="text"/> - 6 <input type="text"/> <input type="text"/> 1 3	6-in FDC® Unit connector panel with six 900 µm fibers in a MIC® cable jacket pigtail
FDC - RF12 - <input type="text"/> <input type="text"/> 1	Two 6-in FDC Unit connector panels with one 12-fiber ribbon pigtail
FDC - CP16 - <input type="text"/> <input type="text"/> - <input type="text"/> <input type="text"/> <input type="text"/> 1 2	6-in FDC Unit module with six single-fiber pigtails
FDC - CP18 - <input type="text"/> <input type="text"/> - <input type="text"/> <input type="text"/> <input type="text"/> ¹ 1 2	7.5-in FDC Unit module with eight single-fiber pigtails
FDC - CM12 - <input type="text"/> <input type="text"/> - <input type="text"/> <input type="text"/> <input type="text"/> 1 2	6-in FDC Unit module with 12 single-fiber pigtails, double-width module
FDC - AC12 - <input type="text"/> <input type="text"/> 1	6-in FDC Unit module with 12 ribbon pigtails, double-width module

Note:

¹Fits FDC-CMH-096 only.

1 Select connector code.

Single-mode, Ultra PC

(RFL ≤ -55 dB):

- 58 = SC/UPC, metal insert adapter
- 5C = SC/UPC, ceramic insert adapter
- 72 = SC/UPC, duplex, ceramic insert adapter
- 54 = FC/UPC, metal insert adapter
- 61 = ST® compatible/UPC, ceramic insert adapter
- 6T = ST compatible/UPC, threaded, ceramic insert adapter
- 62 = D4/UPC, metal insert adapter

Single-mode, Angled PC

(RFL ≤ -65 dB):

- 6C = SC/APC, ceramic insert adapter
- 21 = FC/APC, metal insert adapter

Multimode

- 39 = SC, metal insert adapter
- 56 = SC, composite insert adapter
- 25 = ST compatible, composite insert adapter
- 50 = ST compatible, ceramic insert adapter
- 17 = FC, metal insert adapter
- 91 = SC duplex, composite insert adapter
- 53 = ESCON® compatible/ST compatible, ceramic insert adapter

Single-mode MT-RJ

- 98 = MT-RJ adapter

Multimode MT-RJ

- 97 = MT-RJ adapter

2 Select fiber core size.

Multimode

- 050 = 50 µm
- 063 = 62.5 µm

Single-mode

- Leave blank

3 Select connector type.

- SC = SC
- ST = ST compatible
- FC = FC
- MT = MT-RJ

Note: Connector type and connector code selected in option 1 should be compatible.