

# Floor Supported Relay Racks

## SPECIFICATIONS

<b>MATERIAL</b>	02008 & 02010 - Steel 02009 & 02011 - Aluminum (6061-T6)
<b>UPRIGHTS</b>	02008 & 02010 - 3" x 4.1# channel 02009 & 02011 - 3" x 1.280" x 1/4" channel
<b>BASE</b>	02008 & 02010 - 3-1/2" x 6" x 5/16" angle 02009 & 02011 - 3-1/2" x 6" x 3/8" angle
<b>TOP</b>	02008 & 02010 - 1" x 3/8" bars 02009 & 02011 - 1" x 3/8" bars
<b>COLOR/FINISH</b>	Telephone gray (Std.); Custom color/finish available

## STANDARD FEATURES

- All racks drilled and tapped to mount guard rails, cable rings and accessories.
  - Holes provided in sides to join racks or mounting ladder end guards.
  - All racks equipped with top bars, base angle and bolts for assembly.
- Note:** Racks over 8'-0" should be ordered with top angle. Specify Option D. Order guard rails and accessories as required.

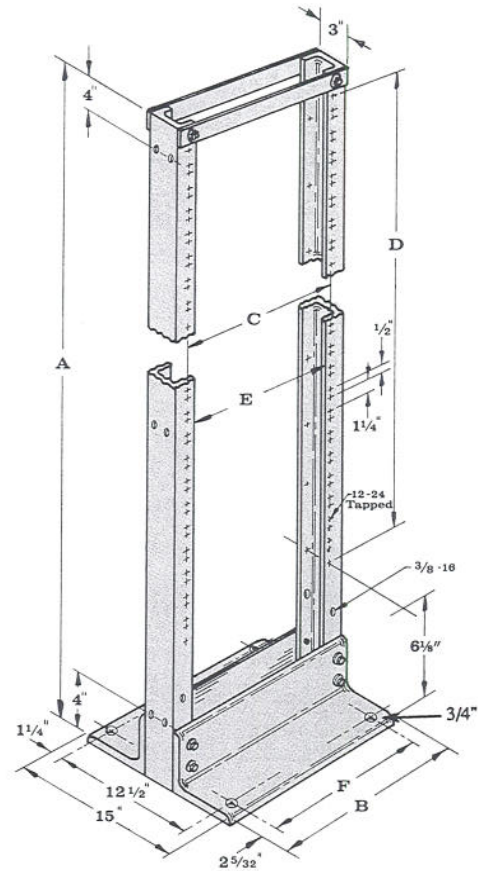


FIGURE A ▲ Floor Supported Rack - Steel/Aluminum, 19"/23"

## ORDERING INFORMATION

HEIGHT	PANEL SPACES		STEEL	ALUMINUM	STEEL	ALUMINUM
	1-3/4"	2"	FIG. A 19"	FIG. A 19"	FIG. A 23"	FIG. A 23"
			B = 20.312"	B = 20.312"	B = 24.312"	B = 24.312"
			C = 18.312"	C = 18.312"	C = 22.312"	C = 22.312"
			E = 17.500"	E = 17.750"	E = 21.500"	E = 21.750"
			F = 16.000"	F = 16.000"	F = 20.000"	F = 20.000"
A	D	D				
6'-0"	37	32	02008-01	02009-01	02010-01	02011-01
6'-6"	40	35	02008-02	02009-02	02010-02	02011-02
7'-0"	44	38	02008-03	02009-03	02010-03	02011-03
7'-6"	47	41	02008-04	02009-04	02010-04	02011-04
8'-0"	50	44	02008-05	02009-05	02010-05	02011-05
8'-6"	54	47	02008-06	02009-06	02010-06	02011-06
8'-8"	55	48	02008-07	02009-07	02010-07	02011-07
9'-0"	57	50	02008-08	02009-08	02010-08	02011-08
11'-6"	74	65	02008-09	02009-09	02010-09	02011-09
11'-8"	76	66	02008-10	02009-10	02010-10	02011-10
9'-6"	61	53	02008-11	02009-11	02010-11	02011-11
10'-0"	64	56	02008-12	02009-12	02010-12	02011-12
10'-6"	68	59	02008-13	02009-13	02010-13	02011-13
11'-0"	71	62	02008-14	02009-14	02010-14	02011-14
8'-0-1/4"	51	44	02008-15	02009-15	02010-15	02011-15
5'-0"	30	26	02008-16	02009-16	02010-16	02011-16
5'-6"	33	39	02008-17	02009-17	02010-17	02011-17

PATENTED

▲ Consult factory for custom applications.