

Charles Multi-Purpose Housings (CMPH)

Expanded-capacity, environmentally-protected OSP closures designed to house copper, fiber and CATV equipment

Charles Multi-Purpose Housings (CMPH) are versatile OSP closures designed for both new provisioning installations as well as rehabilitation of existing access points housed in metallic enclosures. The CMPH's superior structural strength, outstanding environmental protection and ease of installation combine to create a long-life housing that reduces operational expenses.

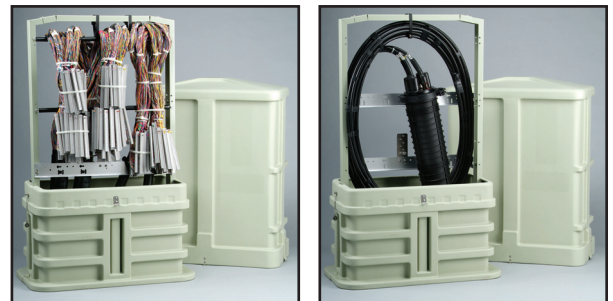


A two-piece assembly features a lift-off dome and corrugated channel base. The lift-off dome allows 360° access to internal working areas and includes self-latching locks with secondary bolt locks on both left and right side panels. The dome provides "bell jar" flood protection, eliminates intrusion of wind-blown rain and dust, and prevents unauthorized entry. The base provides ample room for entry of multiple large cables, including conduit. A spacious bottom entry allows technicians to easily slide the base over existing large cable rehabilitation applications.

CMPH 4500, 5500 and 7500 Series closures are each available with a choice of copper or fiber optic configurations. Ground and bonding hardware is included. CMPH 9500 Series closures do not include any internal hardware and are designed for housing larger electronics, sealed fiber enclosures and cable slack storage.

Applications:

- New installations
- Rehabilitation of metallic OSP closures
- Fiber optic splice closure protection
- Cable slack storage
- Cell site deployments



7500 Series CMPH shown in copper (left) and fiber (right) configurations.

Product Features

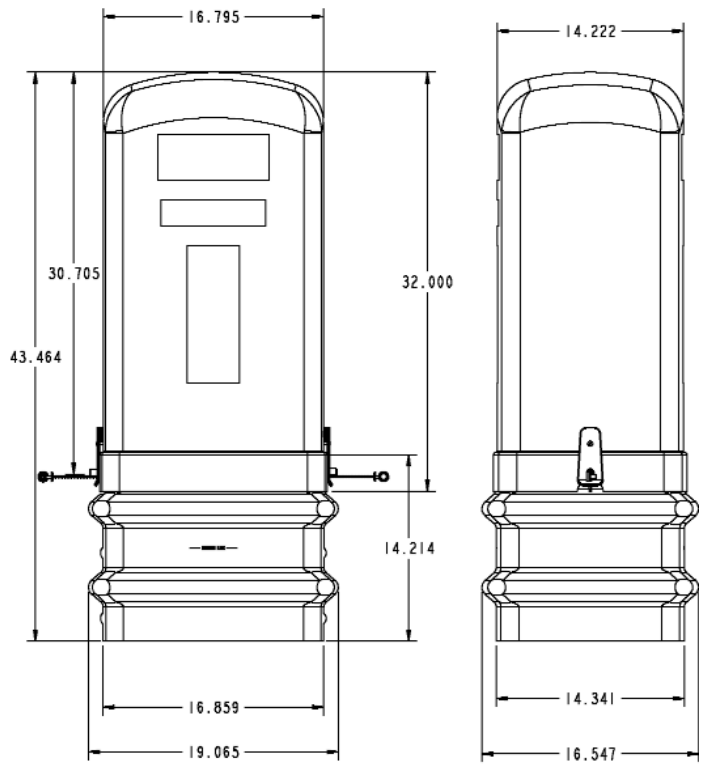
- Structurally rugged, non-metallic outer housing construction offers dent resistance, corrosion protection, electric shock safety and positive alignment in opening and closing
- A corrugated channel base design provides secure footing in all in-plant installations, allows installation with or without the use of mounting stakes, and prevents frost heave
- In rehabilitation installations, existing stakes can be utilized for placement, eliminating the potentially hazardous operation of re-driving stakes into unknown buried copper and fiber feeds
- The one-piece dome locks securely onto the base with side self-latches and bolt locks, creating a "bell-jar" effect that protects internal components in flood-prone areas
- The lift-off dome provides full 360° access to internal splicing area



CMPH 4500 Series



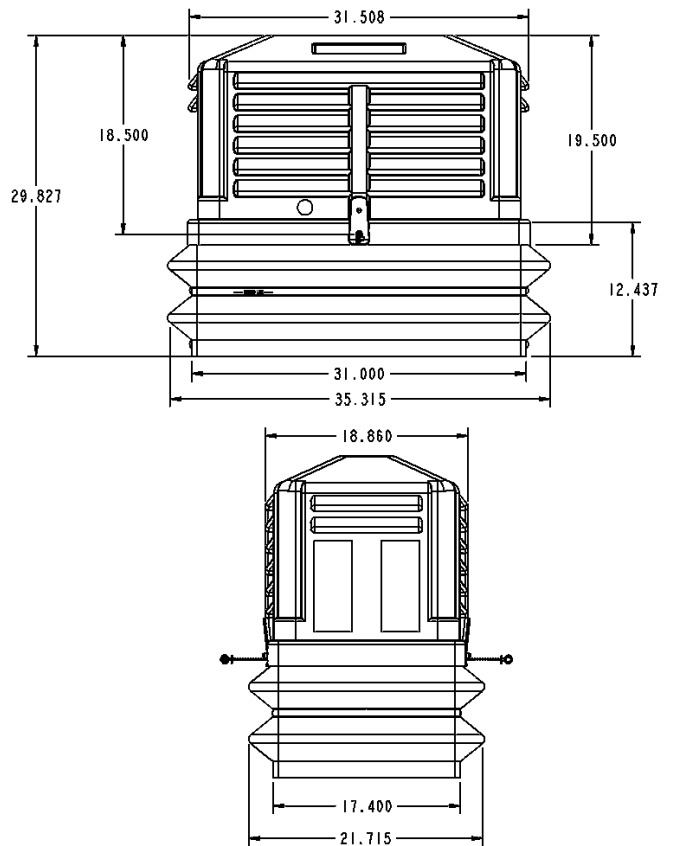
Usable Splice Volume (Approx.): 9,000 cu. in.



CMPH 5500 Series



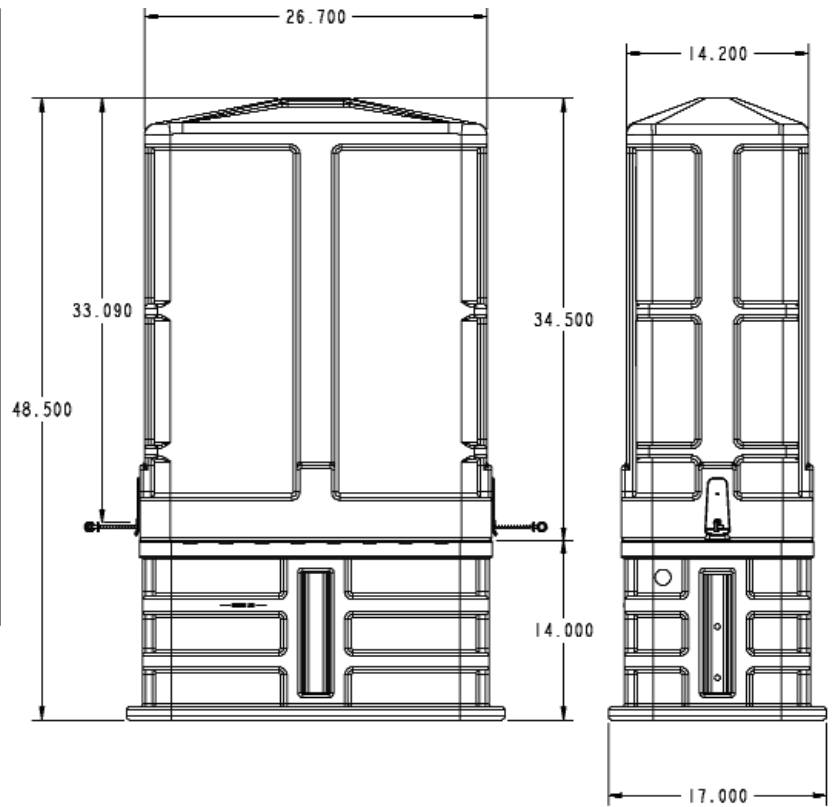
Usable Splice Volume (Approx.): 15,500 cu. in.



CMPH 7500 Series



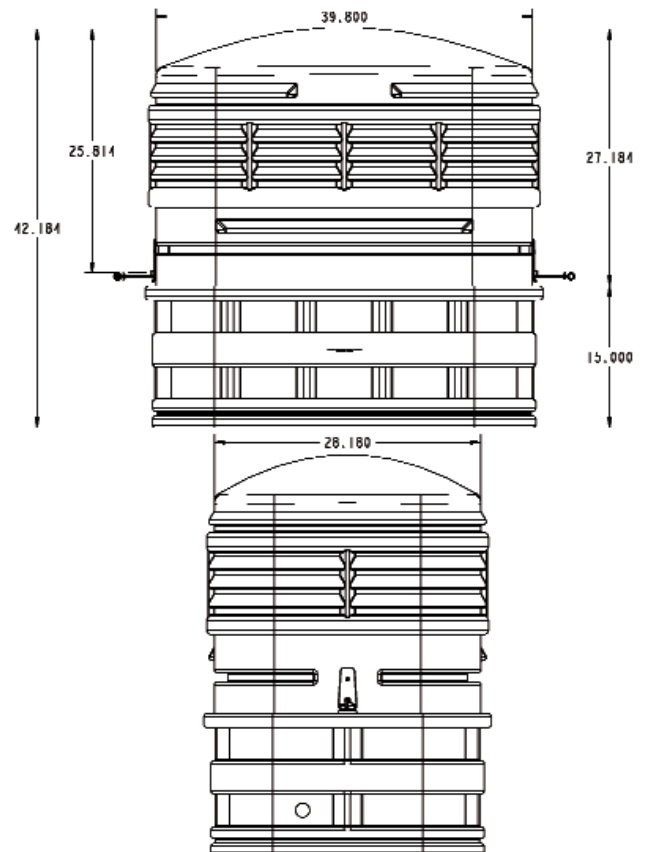
Usable Splice Volume (Approx.): 13,000 cu. in.



CMPH 9500 Series



Usable Splice Volume (Approx.): 43,000 cu. in.



Ordering Information

<u>Description</u>	<u>Copper Configuration</u>	<u>Fiber Configuration</u>
4500 Series		
CMPH-4500 without mounting stakes	CMPH-4500N	CMPH-450FN
CMPH-4500 with two 30" universal mounting stakes	CMPH-4510N	CMPH-451FN
CMPH-4500 with two 36" universal mounting stakes	CMPH-4520N	CMPH-452FN
CMPH-4500 with two 42" universal mounting stakes	CMPH-4530N	CMPH-453FN

5500 Series		
CMPH-5500 without mounting stakes	CMPH-5500N	CMPH-550FN
CMPH-5500 with two 30" universal mounting stakes	CMPH-5510N	CMPH-551FN
CMPH-5500 with two 36" universal mounting stakes	CMPH-5520N	CMPH-552FN
CMPH-5500 with two 42" universal mounting stakes	CMPH-5530N	CMPH-553FN

7500 Series		
CMPH-7500 without mounting stakes	CMPH-7500N	CMPH-750FN
CMPH-7500 with two 30" universal mounting stakes	CMPH-7510N	CMPH-751FN
CMPH-7500 with two 36" universal mounting stakes	CMPH-7520N	CMPH-752FN
CMPH-7500 with two 42" universal mounting stakes	CMPH-7530N	CMPH-753FN

<u>Description</u>	<u>Special Applications (No Internal Hardware)</u>
9500 Series	
CMPH-9500 without mounting stakes	CMPH-9500N
CMPH-9500 with two 30" universal mounting stakes	CMPH-9510N
CMPH-9500 with two 36" universal mounting stakes	CMPH-9520N
CMPH-9500 with two 42" universal mounting stakes	CMPH-9530N

CMPH ACCESSORIES

<u>Description</u>	<u>Part #</u>
6-point bond bar (package of 10)	CMPH-BOND10
Mounting bracket kit for 12-pair or 25-pair terminal block	CKPL-99
30" universal mounting stake	UMS30-STD (min. order qty. of 10)
36" universal mounting stake	UMS36-STD (min. order qty. of 10)
42" universal mounting stake	UMS42-STD (min. order qty. of 10)



OSP INNOVATIONS™




Dependable Solutions. Superior Support.

- Field-proven and unequaled 24-hour technical support
- Individualized application consultation
- ISO 9000/TL 9000 registered

Visit our website at <http://www.charlesindustries.com>

Charles Industries, Ltd.
Telecommunications Group
5600 Apollo Drive
Rolling Meadows, IL 60008 USA

Voice: (847) 806-6300
FAX: (847) 806-6231
E-mail: mkt serv@charlesindustries.com

 is a registered trademark of Charles Industries, Ltd.

D-OSP127-G09