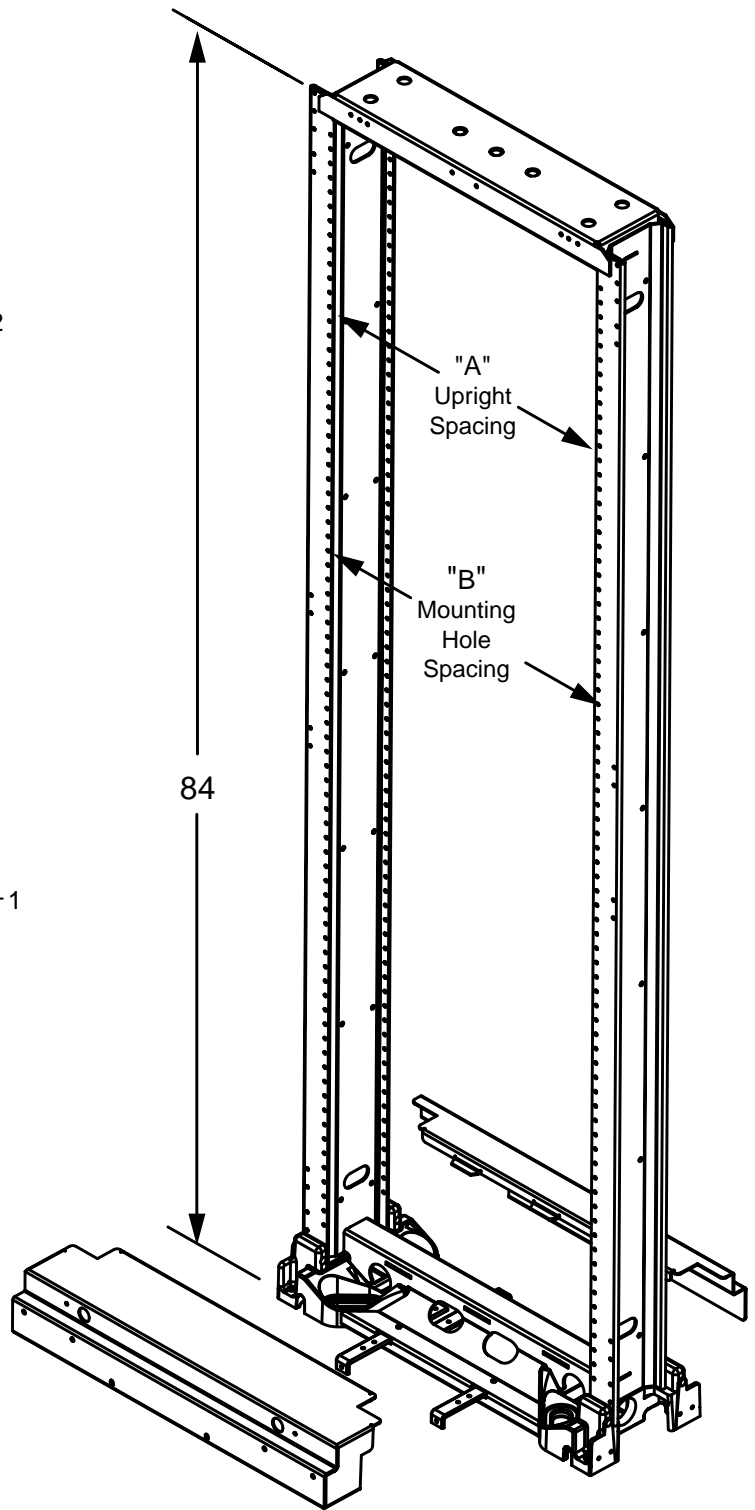


RACK WIDTH	A	B
23"	21-3/4"	22-5/16"
19"	17-3/4"	18-5/16"



PATENT PENDING

ORDERING NUMBER: REFER TO TABLE

NEWTON SEISMIC SYMMETRIC EQUIPMENT RACK

SY84

**Specifications :**

1. Meets the earthquake resistance criteria (zone 4) of Telcordia document GR-63-CORE, Issue 1, sections 4.4 and 5.4 when loaded with 835 lbs. to simulate rack mounted equipment and 40 lbs. on top of the frame to simulate overhead cable loading to give an overall load rating of 875 lbs.\*\*
2. Material: Uprights; 11 gauge HSLA (high strength, low alloy steel).  
Base; Combination of cast steel and 11 gauge HSLA steel.
3. Construction: Fully welded frame
4. Dimensional information: Dimensions as shown on page 1.
5. Base mounting pattern: As shown on page 1.
6. Product weight: Approximately 100 lbs.
7. Standard finish codes are 30 (TE gray), 31 (Telco, ADC gray) and 64 (Telco blue)

\*\* Tested in accordance to GR-63-CORE using steel plates to simulate equipment weight.  
It may be necessary to add stiffener panels in some equipment configurations.

**Notes :**

1. The symmetric design allows the racks to be installed in either closed or open duct configurations. Two covers (front and rear) will be required in either arrangement.
2. The symmetric equipment rack does not offer a version with a top angle.
3. The symmetric design always provides a 2" rear guard in either open or closed duct configuration. This is a minimum clearance in either direction.
4. For the UFER option, the first mounting hole is 7" above floor level on the 1" hole pattern and 6-3/4" above floor level for EIA spacing.  
The first mounting hole for any Network Bay option is 5" above floor level.

**Ordering number examples :**

1. 7 foot height, 23" width Network Bay with 1" hole spacing, 5" front cover, 2" rear cover with a seismic mounting kit in blue :  
SY 84 23 0 2 0 3 64
2. 7 foot height, 19" width UFER with EIA Wide hole spacing, 6" front cover, 2" rear cover with a seismic mounting kit and cable tie bars in Telco gray  
SY 84 19 1 3 1 4 30

Ordering information : (please specify all 12 digits)

**SY84 AA B C D E XX**

**SY84:** Symmetric Rack, 84" high

**AA:** Width      23 = 23" width equipment mounting  
                    19 = 19" width equipment mounting

**B:** Mounting hole pattern   0 ...1", 12-24 tapped  
                                    1 ... EIA wide (1 1/4 - 1/2), 12-24 tapped  
                                    2 ... EIA universal (5/8 - 5/8 - 1/2), 12-24 tapped

**C:** Front cover type   0....Network Bay, extends 0" beyond base (equivalent to 2" front cover)  
                              1....Network Bay, extends 1" beyond base (equivalent to 3" front cover)  
                              2....Network Bay, extends 3" beyond base (equivalent to 5" front cover)  
                              3....Network Bay, extends 4" beyond base (equivalent to 6" front cover)  
                              4....Network Bay, extends 6" beyond base (equivalent to 8" front cover)  
                              5....UFER, extends 0" beyond base (equivalent to 2" front cover)  
                              6....UFER, extends 1" beyond base (equivalent to 3" front cover)  
                              7....UFER, extends 3" beyond base (equivalent to 5" front cover)  
                              8....UFER, extends 4" beyond base (equivalent to 6" front cover)  
                              9....UFER, extends 6" beyond base (equivalent to 8" front cover)  
                              Alpha characters reserved for "special" options not covered by the above

**D:** Rear cover type   0....Network Bay, extends 0" beyond base (equivalent to 2" rear cover)  
                              1....Network Bay, extends 1" beyond base (equivalent to 3" rear cover)  
                              2....Network Bay, extends 3" beyond base (equivalent to 5" rear cover)  
                              3....Network Bay, extends 4" beyond base (equivalent to 6" rear cover)  
                              4....Network Bay, extends 6" beyond base (equivalent to 8" rear cover)  
                              5....UFER, extends 0" beyond base (equivalent to 2" rear cover)  
                              6....UFER, extends 1" beyond base (equivalent to 3" rear cover)  
                              7....UFER, extends 3" beyond base (equivalent to 5" rear cover)  
                              8....UFER, extends 4" beyond base (equivalent to 6" rear cover)  
                              9....UFER, extends 6" beyond base (equivalent to 8" rear cover)  
                              Alpha characters reserved for "special" options not covered by the above

**E:** Options            0....No mounting kit, no cable tie options  
                              1....No mounting kit with cable tie bar kit  
                              2....No mounting kit with cable mounting kit  
                              3....Seismic mounting anchor kit\*, no cable tie options  
                              4....Seismic mounting anchor kit\* and cable tie bar kit  
                              5....Seismic mounting anchor kit\* and cable mounting kit  
                              6-9, alpha characters reserved for custom kits not covered by the above

**XX :** Finish Code    TE gray (30)  
                              Telco (ADC) gray (31)  
                              Telco blue (64)

Other Finish Codes available, please call for pricing and availability.  
Refer to Newton's Finish Code information for additional finish options

\* Seismic anchor kit contains 4 x Hilti HSLB M12-25 expansion anchors, others available on request