

Tii 758Z Series

Network Interface Adapters

Single Pair Network Interface Retrofit

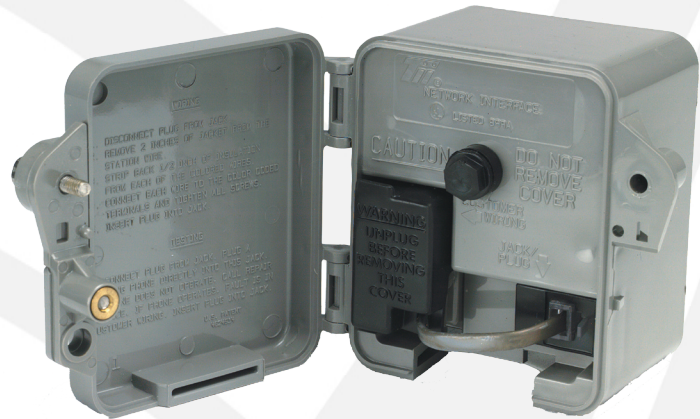
Telco Wiring Bridge Allows Installation of a Half-Ringer

Subscriber Wiring Bridge Allows Up To Three Station Wires to Be Terminated With Up to Four Conductors Each

Removable Customer Wiring Bridge

Quick And Easy To Install

Listed To UL 497



The Tii 758Z Network Interface Adapters are a compact, single pair Retrofit designed to improve network capabilities by converting an existing station protector into a fully functional network interface device. It is designed to replace the existing covers of Tii's 325, 326, 321 or 320 single-pair station protectors.

KEY PRODUCT BENEFITS

- ▶ Significant labor savings result from using the 758Z to convert to a protected single-line network interface.
- ▶ RJ-11 Plug and Jack furnished with weather-resistant grommets.
- ▶ Telco Wiring Bridge allows easy hookup of accessories, such as a half-ringer.
- ▶ Hinged top cover includes easy-to-follow customer installation instructions.
- ▶ Customer access is totally isolated from Telco wiring and the protectors for added safety during installation.
- ▶ For two-pair network interface capability, Tii manufactures the 759/760 retrofits for conversion of tii's 325, 326, 321 or 320 two-pair station protectors.

INDUSTRY STANDARDS

- ▶ Listed to UL 497.

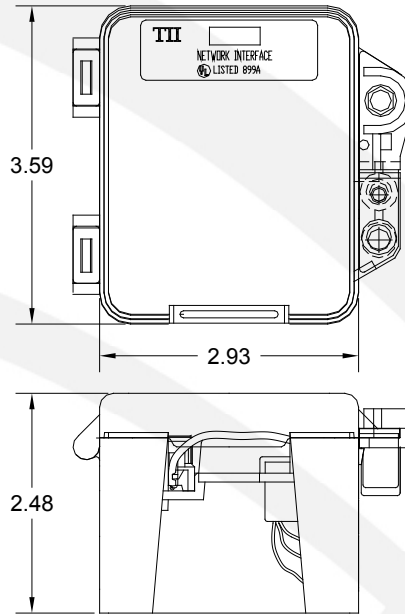


tii network technologies

141 Rodeo Drive
Edgewood, NY 11717
T. 631.789.5000
Toll Free 888.844.4720
F. 631.789.5063
sales@tiinettech.com

www.tiinettech.com

Tii 758Z



Dimensions are in Inches

ORDERING INFORMATION

Model No.	Description
Tii 758ZG	Network Interface Adapter with Pin-in-Head Cover Screw and Large Grommet
Tii 758ZS	Network Interface Adapter with Hex Head Cover Screw
Tii 758ZST	Network Interface Adapter with Hex Head Cover Screw with Tin-Plated Hardware
Tii 758ZGS	Network Interface Adapter with Hex Head Cover Screw and Large Grommet
Tii 758ZS-01	Network Interface Adapter with Hex Head Cover Screw and Half-Ringer
Tii 758 91	Replacement Kit for Customer Wiring Bridge (758 NIZ Series)
Standard Package:	50 pieces
Weight:	758ZS 0.38 lbs each
	758ZST 0.38 lbs each
	758ZG 0.41 lbs each
	758ZGS 0.41 lbs each
	758ZS-01 0.44 lbs each

Patent No. 4,624,514, DES. 292,089