

tii 163 Series

Wire Terminal Enclosures

Rugged Plastic Housing

Easy Installation

One or Two Pair with Optional Ground Stud



tii 163-01

The tii 163 Series Wire Terminal Enclosures are used to connect drop wire and bridle wire for aerial wire drops.

KEY PRODUCT BENEFITS

- ▶ The tii Wire Terminal Enclosure is molded of durable, weather-resistant thermoplastic that is made to resist cracking, crazing, and discoloration.
- ▶ Cover is designed to fit securely to the base to provide maximum protection against environmental conditions and the intrusion of any foreign matter.
- ▶ For added security, the cover can be sealed in the field with a tie wrap or similar device.
- ▶ The base includes a flexible grommet to seal the wiring exit area, allowing room for drop, ground, and station wiring.
- ▶ #10 threaded studs provide convenient termination points.

INDUSTRY STANDARDS

- ▶ Listed to UL 1863.



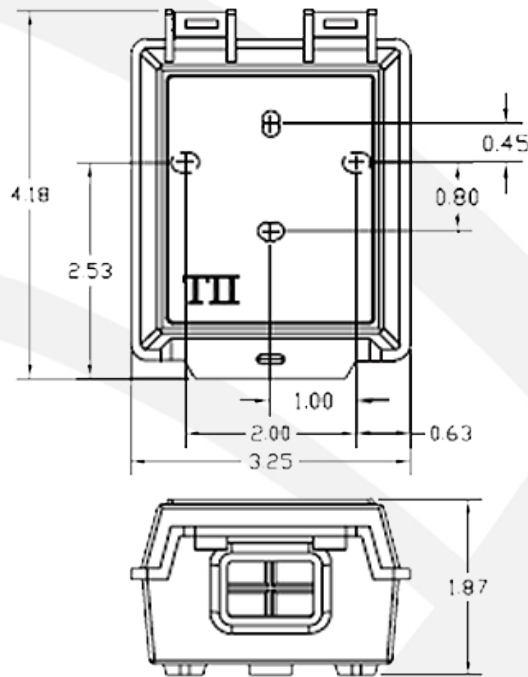
tii network technologies

141 Rodeo Drive
Edgewood, NY 11717
T. 631.789.5000
Toll Free 888.844.4720
F. 631.789.5063
sales@tiinettech.com

www.tiinettech.com

PLEASE REFER TO www.tiinettech.com FOR THE LATEST REVISION

tii 163



Dimensions are in Inches

ORDERING INFORMATION

Model No.	Description
tii 163 01	Two-Pair Wire Terminal Box (Four #10 studs for terminating two pairs.)
tii 163 02	Two-Pair Wire Terminal with Ground (Four studs with ground stud for two pair and ground.)
tii 163 03	One-Pair Wire Terminal Box (Two #10 studs for terminating one pair.)
tii 163 04	One-Pair Wire Terminal with Ground (Two studs with ground stud for one pair and a ground.)
tii 163 05	Two-Pair Wire Terminal Box (Four #10 studs with three additional washers and one additional hex nut on each stud/ground.)
tii 163 06	Two-Pair Wire Terminal Box (Four #10 studs with ground stud with three additional washers and one additional hex nut on each stud/ground.)

tii 163 01, 163 02, 163 03 and 163 04 come equipped with three washers and one hex nut on each stud/ground. tii 163 01 and tii 163 03 Wire Terminals have room enough to mount a one-pair load coil or build-out capacitor in order to condition transmission characteristics of the circuit.

Standard Package:	50 Pieces
Weight:	163 01 0.29 lbs. each
	163 02 0.31 lbs. each
	163 03 0.27 lbs. each
	163 04 0.28 lbs. each
	163 05 0.29 lbs. each
	163 06 0.29 lbs. each