

## Tii 315 Series

### *Outdoor Rated Station Protector*

Fully Encapsulated Module  
Outdoor Rated Utility Enclosure  
Reduces Maintenance Costs



**Tii 315-90-1G**

The Tii Station Protector consists of a Tii Surge Protector module in an Outdoor Rated Utility Enclosure, with molded in-ground stud.

#### KEY PRODUCT BENEFITS

- ▶ The Tii 315 Utility Enclosure is molded of durable, weather-resistant thermoplastic that is made to resist cracking, crazing, and discoloration.
- ▶ Cover is designed to fit securely to the base to provide maximum protection against environmental conditions and the intrusion of any foreign matter.
- ▶ The base includes a flexible grommet to seal the wiring exit area, allowing room for drop, ground, and station wiring.
- ▶ A threaded stud provides a common ground point for grounding and bonding the shield of buried drop, and securing one or two Tii protector modules.
- ▶ Tii Station protectors are engineered to provide the superior performance required in protecting today's technology.
- ▶ The Tii 315 comes equipped with the Tii Micro Angle Driver® Heavy Duty three-electrode protector module installed.
- ▶ Other Tii station protector modules may be provided for the 315 enclosure. Please refer to the back of this data sheet for ordering information.

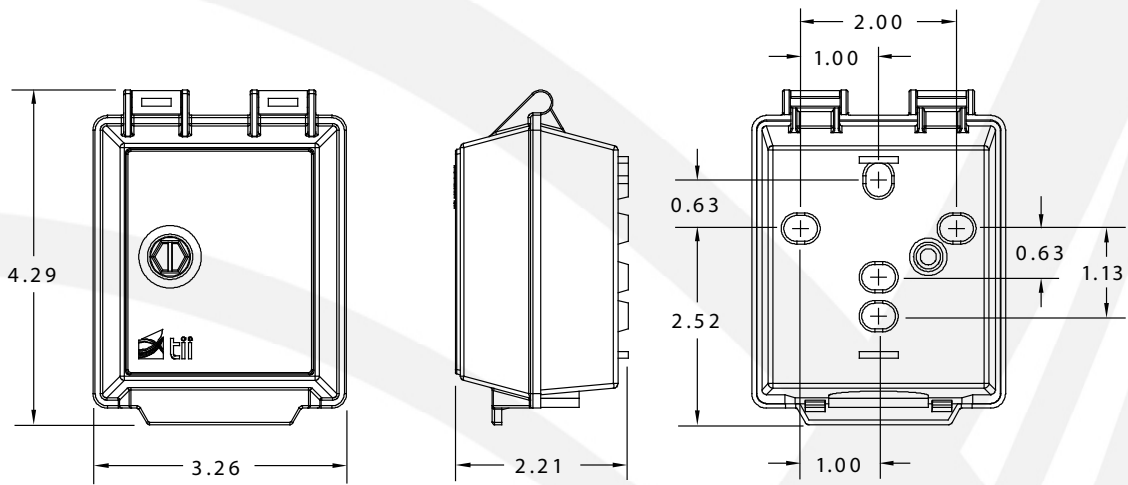


tii network technologies

141 Rodeo Drive  
Edgewood, NY 11717  
T. 631.789.5000  
Toll Free 888.844.4720  
F. 631.789.5063  
sales@tiinettech.com

[www.tiinettech.com](http://www.tiinettech.com)

# Tii 315 Series



## SPECIFICATIONS

### AD-04W-LP

|  |                           |
|--|---------------------------|
| DC Breakdown Voltage @ 100 V/sec                               | 230V $\pm$ 20%            |
| Impulse Breakdown Voltage @ 1KV/ $\mu$ s                       | $\leq$ 750V               |
| Insulation Resistance @ 100V DC                                | $\geq$ 10G $\Omega$       |
| DC Holdover @ 135V   | < 150ms                   |
| Capacitance @ 1 KHz  | $\leq$ 3pF                |
| AC Discharge Current<br>50HZ, 1 Second:                        | 20A (per side 10A)        |
| Impulse Current Life Test<br>10/1000 $\mu$ s, 300 Applications | 200A Peak                 |
| 8/20 $\mu$ s, 10 Applications                                  | 20KA peak (per side 10KA) |
| Fail-safe reaction time at 10A (per side 5A)                   | $\leq$ 5sec               |

## ORDERING INFORMATION

| Model No.         | Description                                   |
|-------------------|---|
| Tii 315-90-1G     | One Pair Station Protector with an AD-06W-LP2 |
| Tii 315-89-1      | One Pair Station Protector with an AD-04W-LP2 |
| Standard Package: | 50 Pieces                                     |
| Weight:           | 0.25 lbs each                                 |