

tii 355M

Maximum Duty Total Failsafe® TFS® Station Protector Module

Three-Electrode Maximum Duty
Gas Tube

Fully Encapsulated Assembly

Provides Years Of Superior
Performance

Reduced Maintenance Cost

Listed to UL 497



tii network technologies

141 Rodeo Drive
Edgewood, NY 11717
T. 631.789.5000
Toll Free 888.844.4720
F. 631.789.5063
sales@tiinettech.com



tii 355M

tii's Total Failsafe® Station Protector Modules are the basic components of tii Station Protectors, and the tii 355M Maximum Duty Protector provides years of reliable protection against power surges and the damage they can cause.

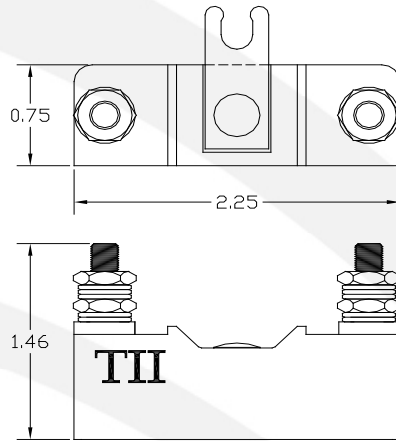
KEY PRODUCT BENEFITS

- ▶ The tii 355M module is entirely self-contained and consists of a tii Maximum Duty three-electrode gas tube surge arrester, a failshort mechanism, and a backup airgap.
- ▶ Entire assembly is completely encapsulated to prevent moisture entry and environmental contamination.
- ▶ Comes with a corrosion-resistant ground strap and two threaded binding posts for service wire and station wire connection.
- ▶ Surge protection is provided in three ways:
 - 1) The gas tube operates on over-voltage surges and shunts the transient to ground.
 - 2) The failshort device operates under power cross conditions to permanently ground the line.
 - 3) The backup airgap provides surge protection in the unlikely event should the gas tube arrester vent.
- ▶ The tii 355M module may be employed in a variety of single and multiple pair protector and network interface device assemblies.
- ▶ Gas tube recovers after a surge and remains ready for continued normal operation for many years, reducing maintenance cost over the life of an installation.

INDUSTRY STANDARDS

- ▶ Listed to UL 497 in the Signal Circuit Protector category when mounted in a tii Station Protector or network interface device (NID).
- ▶ tii 355M module is accepted as Maximum Duty by RUS when tested to the requirements of PE-80.

tii 355M



Dimensions are in Inches

SPECIFICATIONS

tii 355M

DC Breakdown Voltage	300 – 500V dc	
DC Holdover:	150V dc@200 mA	<150mS
Maximum Single Impulse Discharge Current, 8/20 waveform	40kA 20kA/Side Simultaneously	
Service Life:	1000 Surges Minimum Polarity	
1000A, 10/1000 waveshape at 1 min. intervals each	500A On Each Side to Ground Simultaneously	
AC Discharge Current	130A rms	
11 cycles, 60Hz	65A On Each Side to Ground Simultaneously	
Capacitance:	<30pF	
Line to Ground	Test Method IEEE 465.1, RUS PE-80	
Impulse Breakdown Voltage	750V Maximum	
@100V/μsec	500V Typical	
Insulation Resistance	1000 Megohms Minimum	
@ 100V dc	Meets Requirements of UL 497	
Airgap Breakdown Voltage		

ORDERING INFORMATION

Model No.	Description
tii 355(M)*	Maximum Duty Totel Failsafe® TFS® Station Protector Module
tii 355MT	Maximum Duty Totel Failsafe® TFS® Station Protector Module with Tin-Plated Hardware
Standard Package:	50 Pieces
Weight:	0.135 lbs. each

*M designates a protector module meeting the RUS, PEG and other industry requirements

Patent No. 4,212,047