

tii 95 Series

Customer Bridge Modules (CBMs)

Utilizes tii's Switchable RJ-11 Jack (Auto-Jack®)

Offered With Optional Electronics

Eliminates RJ-11 Plug Maintenance

Provides Unsurpassed Reliability

Exceeds Telcordia Severe Lightning Surge Requirements

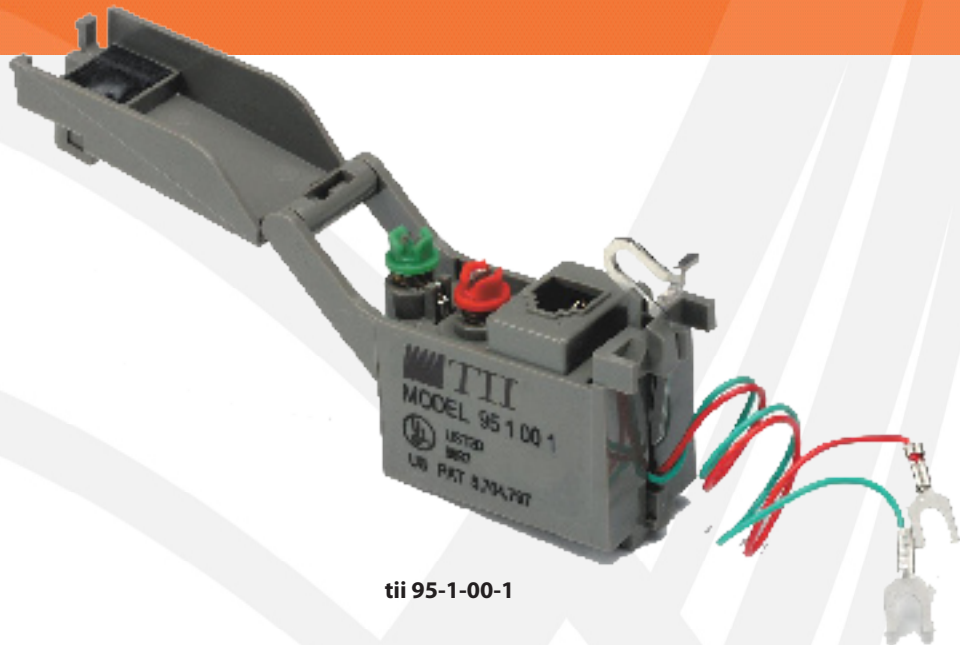
Listed to UL 1863



tii network technologies

141 Rodeo Drive
Edgewood, NY 11717
T. 631.789.5000
Toll Free 888.844.4720
F. 631.789.5063
sales@tiinettech.com

www.tiinettech.com



tii 95-1-00-1

The tii 95 Customer Bridge Modules (CBMs) are durable, environmentally protected units designed to be used in the full line of tii's Network Interface Devices.

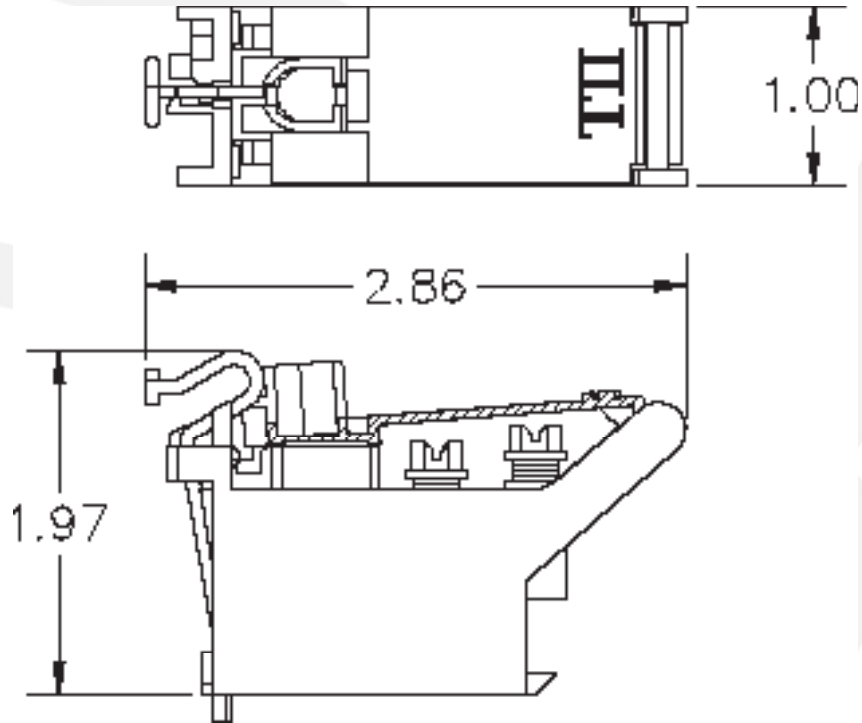
KEY PRODUCT BENEFITS

- ▶ Constructed of superior materials designed to withstand harsh indoor and outdoor environment such as UV degradation, chemical exposure, cold temperatures and moisture - even in severe cases.
- ▶ Superior performing Customer Bridge Module includes tii's Auto-Jack® RJ-11 plug, which exceeds Telcordia requirements for first and second level power surges, resulting in unsurpassed performance.
- ▶ Customer terminations utilize insulated hex/slotted screws.
- ▶ Accepts standard RJ-11 plug for customer troubleshooting.
- ▶ Can be retrofitted into tii's Network Interface Devices, making it possible to field upgrade most standard service line modules already installed.
- ▶ Includes such standard features as customer locking with telco bypass and hinged cover.
- ▶ Modular design also accommodates half ringers and RFI filter circuits

INDUSTRY STANDARDS

- ▶ Exceeds Telcordia GR-49-CORE requirements for severe climatic conditions, both first and second level lightning surge requirements in the open and short circuit mode.
- ▶ Listed to UL 1863.

tii 95



Dimensions are in Inches

ORDERING INFORMATION MODEL NUMBER MATRIX

95-1	-XX	-X
	Electronics	Telco Termination
	00 = None	0 = Wire Leads Without Terminal Lugs
	01 = ½ Ringer	1 = Wire Leads With #10 Terminal Lugs
	08 = RFI Filter	
	01/08 = Combination ½ Ringer & RFI Filter	
	Standard Package:	20 pieces
	Weight:	0.13 lbs each

Patent No. 5,704,797